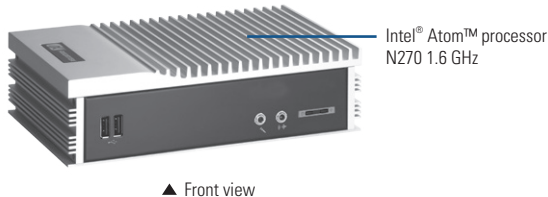


# eBOX620-831-FL

Fanless Embedded System with Intel® Atom™ Processor N270 1.6 GHz



▲ Front view



CAN Bus EN60950 IP40 Fanless Low Power

## Specifications

Standard Color	Silver-Black
Construction	Aluminum extrusion and heavy-duty steel, IP40
CPU	Intel® Atom™ processor N270 1.6 GHz
System Memory	1 x 200-pin DDR2 SO-DIMM max. up to 2 GB
Chipset	Intel® 945GSE + ICH7M
BIOS	AMI 8Mbit with RPL/PXE LAN boot ROM
System I/O Outlet	3 x RS-232 (COM 1/2/3) 1 x VGA 1 x Audio (Mic-in/Line-out) 1 x PS/2 keyboard/mouse 2 x 10/100/1000Mbps Ethernet (Realtek RTL8111B) 4 x USB 2.0 1 x VDC power input connector 1 x ATX power switch
Watchdog Timer	255 levels, 1 ~ 255 sec.
Storage	1 x 2.5" SATA HDD drive bay 1 x CompactFlash™ slot
Expansion Interface	N/A
System Indicator	1 x green LED for system power-on 1 x orange LED for HDD active
Power Supply	Screw type AC 60W adapter Input: AC 90 ~ 264V Output: DC 12V @ 5A
Operating Temperature	-10°C ~ +50°C (14°F ~ 122°F) (with 1.6 GHz CPU, W.T. HDD)
Storage Temperature	-20°C ~ +80°C (-4°F ~ +176°F)
Humidity	10% ~ 90%, non-condensing
Vibration Endurance	2 Grms with CF (5 - 500 Hz, X, Y, Z directions)
Dimensions	200 mm (7.87") (W) x 120 mm (4.72") (D) x 56 mm (2.2") (H)
Weight (net/gross)	1.8 kg (3.97 lb)/2.6 kg (5.73 lb)
Certification	CE
EOS Support	XPE, WinCE, Linux, WES7

\* XPE: Windows® XP Embedded

\* WES: Windows® XP Embedded Standard

\* WES7: Windows® Embedded Standard 7

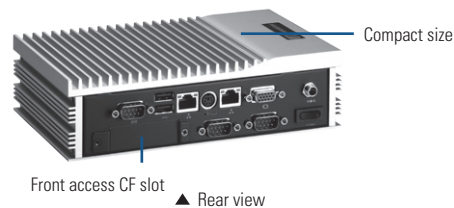
\* WES8: Windows® Embedded Standard 8

## Packing List

- 1 x quick manual
- 1 x driver CD
- 1 x Y cable for PS/2 keyboard/mouse
- 1 x screw pack
- 4 x foot pad
- 1 x power adapter
- 1 x HDD mylar
- 2 x CFast™ mylar
- 1 x US power cord

## Features

- Intel® Atom™ processor N270 1.6 GHz onboard
- Intel® 945GSE + ICH7M chipset
- Fanless operation design with full feature I/O
- One 2.5" SATA drive bay
- Supports CAN bus (optional)



▲ Rear view

## Power Protection

### AC Version

OVP (over voltage protection)

OCP (over current protection)

SCP (short circuit protection)

## Ordering Information

### Standard

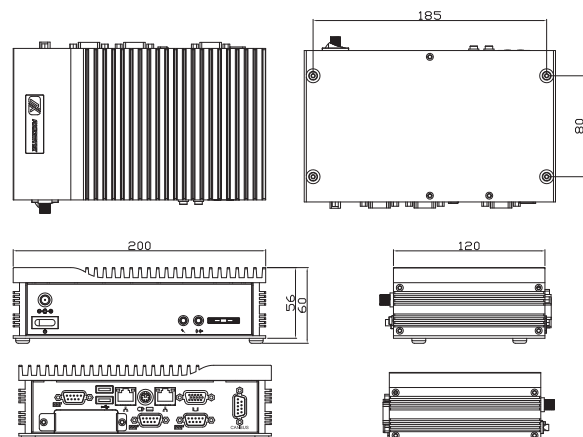
eBOX620-831-FL1.6G	Fanless embedded system with Intel® Atom™ processor N270 1.6 GHz, VGA, AC 60W adapter, CF & HDD support and 3 RS-232
eBOX620-831-FL1.6G w/o Logo	Fanless embedded system with Intel® Atom™ processor N270 1.6 GHz, VGA, AC 60W adapter, CF & HDD support, 3 RS-232 and w/o logo
eBOX620-831-FL1.6G-LVDS	Fanless embedded system with Intel® Atom™ processor N270 1.6 GHz, VGA, AC 60W adapter, CF & HDD support 3 RS-232 and LVDS
eBOX620-831-FL1.6G-CAN	Fanless embedded system with Intel® Atom™ processor N270 1.6 GHz, VGA, AC 60W adapter, CF & HDD support, 3 RS-232 and CAN

### Optional

2.5" SATA HDD	40 GB or above
2.5" SATA SSD	4 GB or above
DDR2 SODIMM	256 MB ~ 2 GB
CompactFlash™	256 MB or above
Power adapter bracket kit	
Din rail kit	
Wall mount kit	
Power cord	

\* Specifications and certifications are based on options and may vary.

## Dimensions



\* All specifications and photos are subject to change without notice.