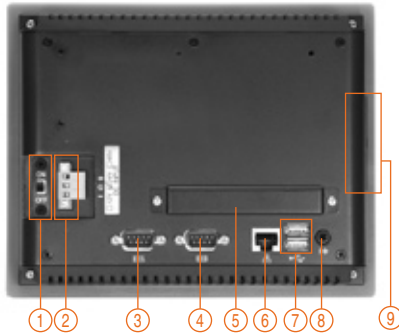


GOT-3571T

5.7" VGA TFT Compact Fanless Touch Panel Computer



- 1. Power switch
- 2. DC power connector
- 3. COM 2 (RS-232)
- 4. COM 1 (RS-232/422/485)
- 5. PC/104 slot
- 6. Ethernet
- 7. USB 2.0 x 2
- 8. Audio (Line-out)
- 9. CompactFlash™



Side view

Features



- 5.7" VGA (640 x 480) TFT LCD
- Fanless cooling system with AMD LX800 500 MHz processor
- Supports WLAN antenna (optional)
- Easy for expansion: PC/104, MiniPCI
- Embedded OS: Windows® CE.NET, XP Embedded supported

Introduction

The GOT-3571T is a compact and fanless touch panel computer specifically designed for application requires 640 x 480 resolution. It adopts 5.7" VGA TFT display, AMD LX800 500 MHz processor and supports various operating systems of Windows XP, XPE, CE. Besides, the GOT-3571T is equipped with PC/104 and provides one MiniPCI slot for expansion availability. It's also equipped with CF card for storage device. Thus, the GOT-3571T is the best solution for factory automation, machine maker operating systems and building automation.

Easy to extend: PC/104 & MiniPCI & WLAN antenna (optional)

In response to market demand, the GOT-3571T is equipped with PC/104 slot for communication expansion such as serial ports, DIO/AIO points and LAN port. Besides, it also provides MiniPCI slot for wireless expansion. By simply plugging in

the wireless LAN card, customers can use the GOT-3571T in wireless network environment.

Various Embedded O.S supported for diverse applications

The GOT-3571T supports various embedded O.S, such as Windows® CE.NET, Windows® XP Embedded, and it provides a flexible platform for diverse applications.

Specifications

Front Bezel	IP65, NEMA 4 rugged protection, plastic front bezel		BIOS	Award 4Mbit with RPL/PEX LAN boot ROM, Smartview and customer CMOS backup.	
LCD Panel	Display Type	5.7" VGA TFT LCD	Storage	1 x CompactFlash™	
	Brightness (cd/m ²)	500 nits		Watchdog	255 levels, 0-255 sec.
	Resolution	640 x 480			Timer
	View Angle (H/V)	120° / 100°		Onboard Graphics	Integrated in AMD LX
Main System	CPU	AMD LX800 500 MHz			
	Chipset	AMD LX+CS5536AD			
	System	1 x DDR SODIMM max. up to 1GB			
	Memory				

I/O Connector	1 x RS-232 (COM 2) 1 x RS-232/422/485 (COM 1) 2 x USB 2.0 1 x 10/100Mbps Ethernet 1 x Audio (Line-out)
Expansion Interface	1 x MiniPCI slot 1 x PC/104 slot
Touchscreen	Resistive type
Power Supply	24V _{DC} , 45W, w/ fuse over-current protection
Dimensions	208.5mm (8.21") (W) x 59.5mm (2.34") (D) x 167.3mm (6.59") (H)
Weight (net/gross)	1.3 kg (2.87 lb)/2 kg (4.4 lb)
Environmental	Operation temperature: 0°C ~ +50°C (32°F ~ 122°F) (in airflow condition) 0°C ~ +45°C (32°F ~ 113°F) Relative humidity: 10% ~ 95% @40°C; non-condensing Operation vibration: 2G, 5 ~ 500Hz, random for CompactFlash™
Certification	CE

Ordering Information

GOT-3571T	5.7" VGA TFT compact fanless touch panel computer
E223570102	1 x PC/104 slot
E223570103	2 x PC/104 slot
50966A23020E	Power adapter, 72W, 110-230V _{AC} to 24V _{DC}
Wireless kit	802.11 b/g wireless LAN kit

*Specifications and certifications are limited to optional.

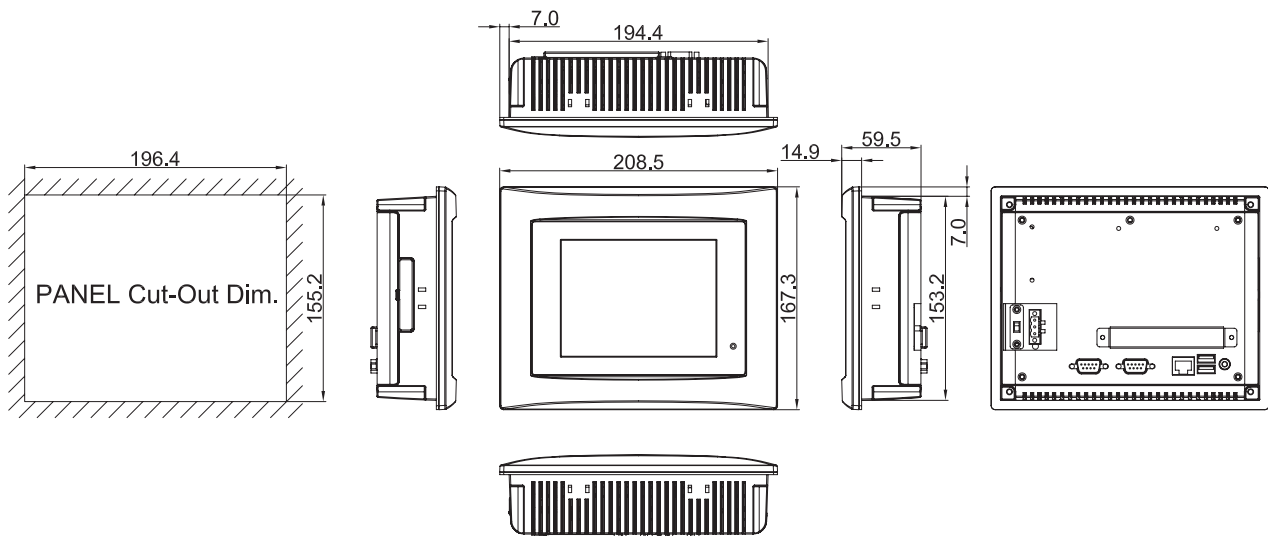
Optional EOS Installation

Windows® CE.NET
Windows® XP Embedded

Optional OS Installation

Windows® XP

Dimensions



Touch Panel Computers for Various Industry Applications

Digital Signage and Display Solutions

Medical Panel Computers

Medical Grade Monitors

GOT Fanless Touch Panel Computers

Touch Panel Computers for Infotainment

Touch Panel Computers for Automation

Touch Panel Monitors for Automation

Touch Panel Computers with HMI Software