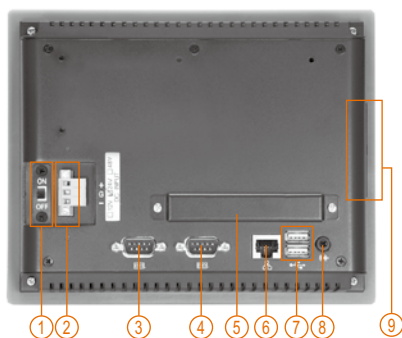


GOT-5571TL-621

5.7" VGA TFT Compact Fanless Touch Panel Computer



- | | | |
|-----------------------|---------------------------|---------------------|
| 1. Power switch | 4. COM 1 (RS-232/422/485) | 7. USB 2.0 x 2 |
| 2. DC power connector | 5. PC/104 slot | 8. Audio (Line-out) |
| 3. COM 2 (RS-232) | 6. Ethernet | 9. CompactFlash™ |



Side view

Features



- 5.7" VGA (640 x 480) TFT LCD
- Fanless cooling system with AMD Geode™ LX800 500 MHz processor
- Supports WLAN antenna (optional)
- Easy for expansion: PC/104, MiniPCI
- Embedded OS: Windows® CE.NET, XP Embedded supported

Introduction

The GOT-5571TL-621 is a compact and fanless touch panel computer specifically designed for application requires 640 x 480 resolution. It adopts 5.7" VGA TFT display, AMD Geode LX800 500 MHz processor and supports various operating systems of Windows XP, XPE, CE. Besides, the GOT-5571TL-621 is equipped with PC/104 and provides one MiniPCI slot for expansion availability. It's also equipped with CF card for storage device. Thus, the GOT-5571TL-621 is the best solution for factory automation, machine maker operating systems and building automation.

Easy to extend: PC/104 & MiniPCI & WLAN antenna (optional)

In response to market demand, the GOT-5571TL-621 is equipped with PC/104 slot for communication expansion such as serial ports, DIO/AIO points and LAN port.

Besides, it also provides MiniPCI slot for wireless expansion. By simply plugging in the wireless LAN card, customers can use the GOT-5571TL-621 in wireless network environment.

Various Embedded O.S supported for diverse applications

The GOT-5571TL-621 supports various embedded O.S, such as Windows® CE.NET, Windows® XP Embedded, and it provides a flexible platform for diverse applications.

Specifications

Front Bezel	IP65, NEMA 4 rugged protection, plastic front bezel		System Memory	1 x 200-pin DDR SO-DIMM max. up to 1 GB
LCD Panel	Display Type	5.7" VGA TFT LCD	BIOS	Award 4Mbit with RPL/PEX LAN boot ROM, Smartview and customer CMOS backup
	Brightness (cd/m ²)	500 nits	Storage	1 x CompactFlash™
	Resolution	640 x 480	Watchdog Timer	255 levels, 0-255 sec.
	View Angle (H/V)	140° / 100°	Onboard Graphics	Integrated in AMD LX chipset
Main System	CPU	AMD Geode LX800 500 MHz		
	Chipset	AMD LX + CS5536AD		

I/O Connector	1 x RS-232 (COM 2) 1 x RS-232/422/485 (COM 1) 2 x USB 2.0 1 x 10/100Mbps Ethernet 1 x Audio (Line-out)
Expansion Interface	1 x MiniPCI slot 1 x PC/104 slot
Touchscreen	Resistive type
Power Supply	24V _{DC} , 55W, w/ fuse over-current protection
Dimensions	208.5 mm (8.21") (W) x 59.5 mm (2.34") (D) x 167.3 mm (6.59") (H)
Weight (net/gross)	1.3 kg (2.87 lb)/2 kg (4.4 lb)
Environment	Operating temperature: 0° C - +50° C (32° F - 122° F) (in airflow condition) 0° C - +45° C (32° F - 113° F) Relative humidity: 10% - 95% @40° C; non-condensing Operation vibration: 2G, 5-500Hz, random for CompactFlash™
Certification	CE

Ordering Information

GOT-5571TL-621	5.7" VGA TFT compact fanless touch panel computer
E223570102	1 x PC/104 slot
E223570103	2 x PC/104 slot
50966A23040E	Power adapter, 70W, 110-230V _{AC} to 24V _{DC}
Wireless kit	802.11 b/g wireless LAN kit

* Specification and certifications are based on options and may vary.

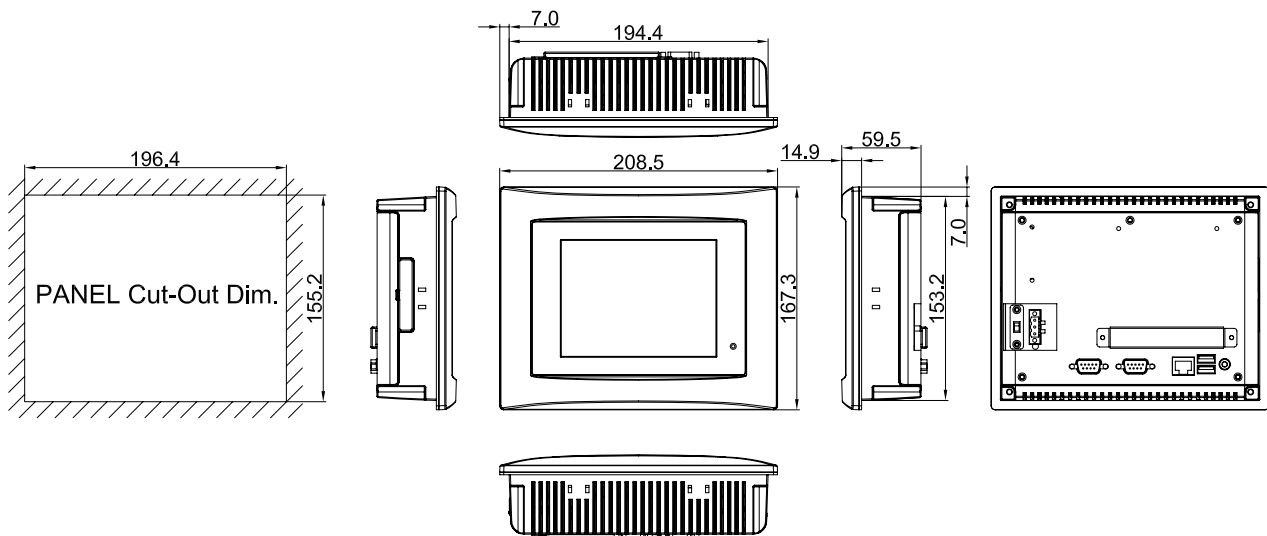
Optional EOS Installation

Windows® CE.NET
Windows® XP Embedded

Optional OS Installation

Windows® XP

Dimensions



Overview

Digital Signage Solutions

Healthcare & Medical Solutions
> Medical Panel Computers

Healthcare & Medical Solutions
> Medical Grade Monitors

Fanless & Heavy-duty Touch Panel Computers

Touch Panel Computers for Infotainment

Industrial Touch Panel Computers & Monitors
> Industrial Touch Panel Computers

Industrial Touch Panel Computers & Monitors
> Industrial Touch Panel Monitors

Open Frame Panel Computers

Accessories