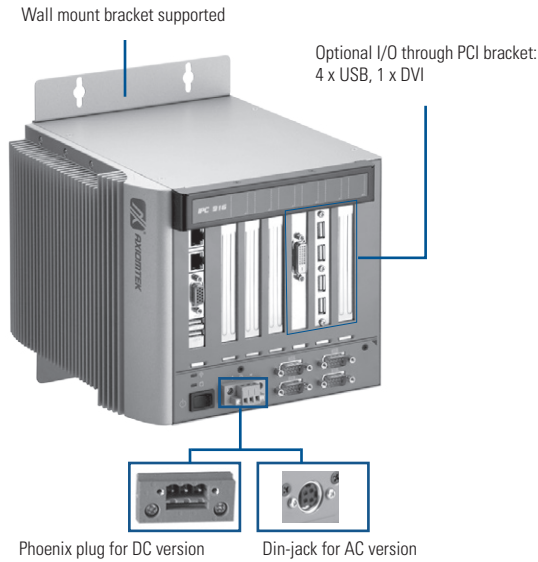


# IPC916-211-FL

6-slot Fanless System with Socket P (478-pin) Intel® Core™2 Duo Processor (up to 2.53 GHz), Intel® GM45 Chipset, PCIe and PCI Slots



## Features

- Socket P (478-pin) for Intel® Core™2 Duo/Celeron® M processor
- Fanless operation
- Intel® GM45 + ICH9M chipset
- Supports 6 expansion slots
- Two 2.5" SATA HDD drive bay
- DC to DC power supply supports 10V ~ 30V
- Compact & front I/O design



▲ Rear view



## Specifications

Standard Color	Sliver	
Construction	Aluminum extrusion heavy-duty cold-rolled steel, IP30	
System Board	SHB211VGGA	
Processor System	CPU Level	Socket P (478-pin) for Intel® Core™2 Duo/ Celeron® M processor
	Max. Speed	2.53 GHz
	Front Side Bus	667/800/1066 MHz
	Chipset	Intel® GM45 + ICH9M
System Memory	2 x 204-pin DDR3 800/1066 SO-DIMM socket, up to 8 GB	
I/O Interface-Front	ATX power on/off switch	
	1 x remote power on/off switch	
	2 x USB 2.0	
	3 x RS-232 (COM 2/3/4)	
	1 x RS-232/422/485 (COM 1)	
	2 x 10/100/1000Mbps Ethernet 1 x VGA	
Expansion Interface	HAB107: 2 PCI & 3 PCIe x1 & 1 PCIe x16	

Storage	2 x 2.5" SATA HDD
	1 x onboard CompactFlash™ socket
System Indicators	1 x power on/off, 1 x HDD
Power Supply	DC ATX 150W:
	Input : 10 ~ 30VDC
	Output: +5V @ 11A, +3.3V @ 5A, +12V @ 9A, -12V @ -150mA, 5Vsb @ 2A
	AC-DC power adapter:
	Input: 100 ~ 240VAC
	Output: 19V @ 7.89A
Operating Temperature	0°C ~ +45°C (+32°F ~ +113°F) (with W.T. HDD)
Storage Temperature	-20°C ~ +80°C (-4°F ~ +176°F) (with W.T. HDD)
Humidity	10% ~ 90%, non-condensing
Dimensions	212 mm (8.4") (W) x 248 mm (9.8") (D) x 185 mm (7.3") (H)
Weight (net/gross)	5.68 kg (12.52 lb) / 6.82 kg (15.04 lb)
Certification	CE

## Ordering Information

### PCI+PCIe Version

IPC916-211-FL-HAB107-DC (P/N: E26G916100)	6-slot fanless system with socket P Intel® Core™2 Duo Processor, PCI & PCIe slots, DC-in ATX 150W P/S
IPC916-211-FL-HAB107-AC (P/N: E26G916101)	6-slot fanless system with socket P Intel® Core™2 Duo Processor, PCI & PCIe slots, DC-in ATX 150W P/S and AC-DC 150W power adaptor and US power cord

\*Specifications and certifications are based on options and may vary.

## Power Protection

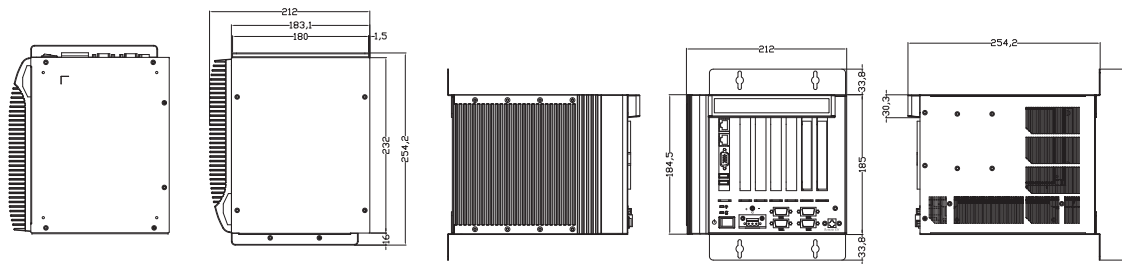
### AC Version

OVP (over voltage protection)
OTP (over temperature protection)
OPP (over power protection)
SCP (short circuit protection)

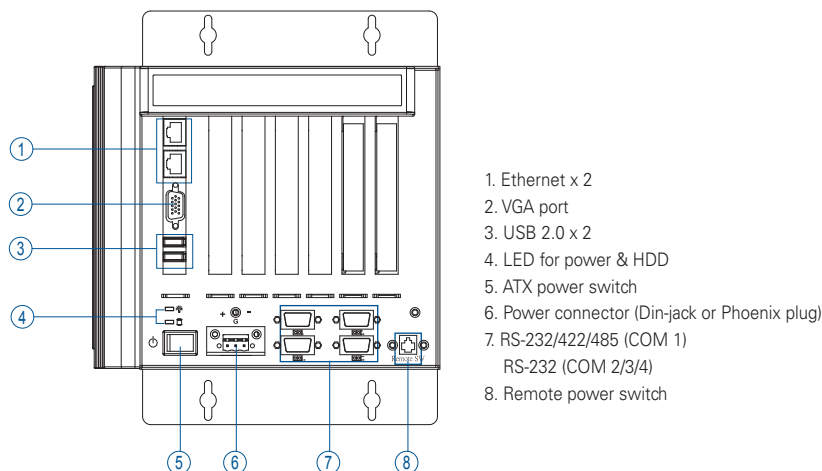
### DC Version

OVP (over voltage protection)
SCP (short circuit protection)
OCP (over current protection)

## Dimensions



## Front & Rear Metal Panel I/O Layout



## Optional Items

4-port USB cable with bracket  
 AX93221-24/48: DVI card  
 40P-40P LVDS cable  
 DVI bracket for AX93221  
 2.5" SATA HDD: 250 GB, 320 GB, 500 GB  
 Intel® Core™2 Duo processor T9400 (2.53 GHz)  
 Intel® Core™2 Duo processor T9300 (2.5 GHz)  
 Intel® Core™2 Duo processor T7500 (2.2 GHz)  
 Intel® Celeron® processor: 575 (2 GHz)  
 DDR3 SO-DIMM: 1 GB, 2 GB  
 CompactFlash™: 2 GB, 4 GB, 8 GB  
 Embedded OS: XPE-SP3 OS image and license

## Packing List

19V 150W adapter and US power cord (for AC version)  
 Driver CD  
 Quick manual  
 Wall mount bracket x 2  
 Foot pad x 4  
 HDD bracket x 2  
 Screw pack x 1  
 Terminal block x 1 (for DC version)  
 Remote power switch cable x 1

