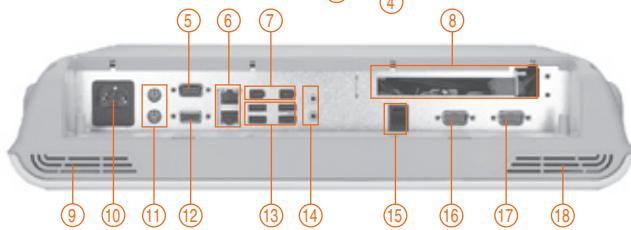


PANEL2170-831-FL1.06G

17" TFT High Brightness Fanless Panel Computer with Intel® Celeron® M Processor up to 1.06 GHz



- | | | | |
|------------------------------|---------------------------|-----------------------------|--------------------|
| 1. Brightness adjust buttons | 5. COM 1 (RS-232/422/485) | 11. PS/2 K/B+M/S | 15. Power switch |
| 2. Volume adjust buttons | 6. Ethernet x 2 | 12. VGA | 16. COM 2 (RS-232) |
| 3. Power LED | 7. IEEE 1394a x 2 | 13. USB 2.0 x 4 | 17. COM 3 (RS-232) |
| 4. MIC | 8. PCI slot | 14. Audio (Mic-in/Line-out) | 18. Speaker(L) |
| | 9. Speaker(R) | | |
| | 10. AC inlet | | |

Features



- ▶ 17" high brightness (300 nits) SXGA TFT LCD
- ▶ Fanless ULV Intel® Celeron® M processor
- ▶ NEMA 4/12 (IP65) - compliant front bezel
- ▶ Dual 10/100/1000Mbps Ethernet & dual IEEE 1394a ports
- ▶ Built-in CD-ROM drive (optional combo drive)
- ▶ 1 PCI expansion slot
- ▶ Built-in 1.3 mega pixels camera
- ▶ Built-in internal wireless (802.11 b/g) antenna (optional)



Compact CD-ROM drive (Optional Combo drive)



Thermal module

I/O cover

Introduction

The PANEL2170-831-FL1.06G is an ultra slim panel computer equipped with 17-inch 300 nits high brightness SXGA LCD display and supports superior fanless ULV Intel® Celeron® M 423 (1.06G) processor. Powered by Intel® 945GME GMCH Gen 3.5 integrated graphic engine with maximum 224MB sharing graphic memory, this panel computer has better graphic performance. The panel also supports DualView and multiple I/O options including 4 USB 2.0, 3 RS-232 and 2 IEEE 1394a ports. The built-in 1.3 mega pixels camera and microphone/speakers can provide the compact solution for VoIP, remote monitoring and telemedicine healthcare terminal. Furthermore, the PANEL2170-831-FL1.06G supports PCI interface for expansion, built-in slim CD-ROM drive (slim combo drive optional), and internal antenna for wireless

(802.11b/g) expansion. Besides, the dual Gigabit Ethernet ports can provide the extremely high speed of Ethernet and high reliable redundancy host connection. The PANEL2170-831-FL1.06G is designed to work with low noise, low power consumption, high reliability and high performance applications. Besides, excellent ID (industrial design) and user friendly interface design make the PANEL2170-831-FL1.06G perfect with super slim, professional outlook, better user interface, and excellent protection at once! This safe, reliable & user-friendly panel computer can ensure customer's project success and best suited for POI/POS/Kiosk, media content display, and HMI solutions.

Specifications

Front Bezel	Plastic ABS	
LCD Panel	Display Type	17" SXGA TFT
	Brightness (cd/m ²)	300 nits
	Resolution	1280 x 1024
	Viewing Angle (H/V)	160°/160°

Main System	CPU	ULV Intel® Celeron® M (423) 1.06 GHz/1MB processor
	Chipset	Intel® 945GME GMCH Gen 3.5
	System Memory	Supports 2 x DDR2 DIMM memory up to 4GB (The actual max. capacity will be less depending on system configuration)
	Storage	Supports 1 x 2.5" SATA HDD
	Optical Drive	1 x compact 24X CD-ROM or optional 8X/24X combo drive
	Watchdog Timer	255 levels, 0~255 sec.

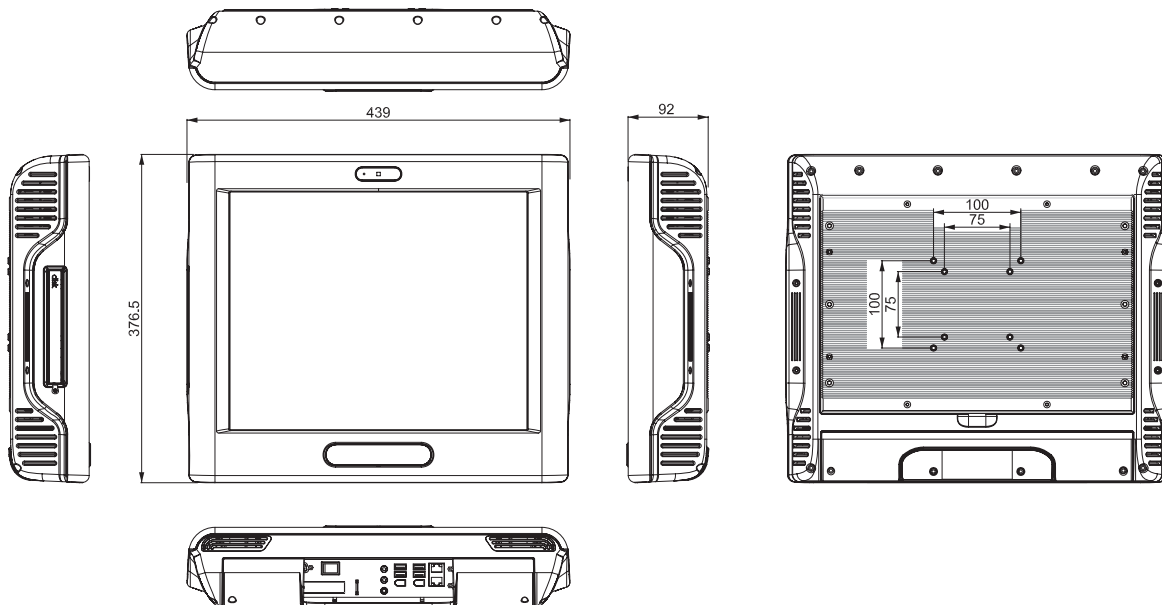
I/O Connectors	2 x RS-232 (COM 2/3) 1 x RS-232/422/485 (COM 1) 4 x USB 2.0 2 x PS/2 keyboard/mouse 1 x Audio (Mic-in/Line-out) 1 x VGA out (supports DualView) 2 x IEEE 1394a 2 x 10/100/1000Mbps Ethernet
Expansion Interface	1 x PCI slot
Camera	1 x 1.3 mega pixels camera
Touchscreen	Resistive type Light transmission: 80% Touch life 35 million touches
Power Supply	AC 90~264V, ATX 150W power supply
Dimensions	439mm (17.28") (W) x 92mm (3.6") (D) x 376.5mm (14.82") (H)
Weight (net/gross)	9 kg (19.84 lb)/13.7 kg (30.2 lb)
Environmental	Operation temperature: 0°C - 45°C (32°F -113°F) Relative humidity: 10% ~ 95%, non-condensing Shock: 10G peak acceleration (11 sec. duration)
Certification	CE

Ordering Information

PANEL2170-810-FL1.06G -AC-CD	17" TFT high brightness panel computer with ULV Intel® Celeron® M 1.06 GHz (423) processor, resistive T/S, slim CD-ROM and AC power
---------------------------------	-------------------------------------------------------------------------------------------------------------------------------------------

*Specifications and certifications are limited to optional.

Dimensions



Optional Accessories

VM-105	VESA ARM (wall-mount type)
VM-101	VESA ARM (clamp type)
Stand kit	

Optional EOS Installation

Windows® XP Embedded



Stand kit

Medical Panel
Computers

Medical
Grade
Monitors

PANEL2000
Slim Client
Panel
Computers