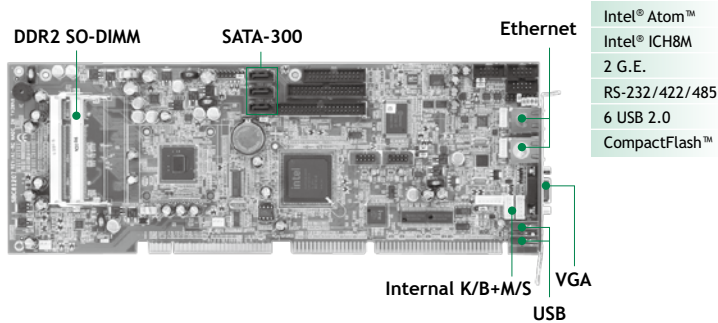


SBC81207

Intel® Atom™ N450/ D410/ D510 PICMG 1.0 Full-size CPU Card with Intel® ICH8M Chipset, VGA, 2 LANs and Audio



Features



- Intel® Atom™ processor N450/ D510/ D410 1.66 GHz
- Intel® ICH8M + ITE8888G chipset
- 2 DDR2 SO-DIMM supports up to 2 GB memory capacity
- ISA with up to 500mA high drive supported

System

CPU	Intel® Atom™ processor N450/ D410 1.66 GHz single core & D510 1.66 GHz dual core onboard
System Memory	2 x 200-pin SO-DIMM supports DDR2-667/800 max. up to 4 GB (N450 supports DDR2-667 max. up to 2 GB)
Chipset	Intel® ICH8M + ITE8888G
BIOS	AMI
SSD	1 x CompactFlash™ (optional)
Watchdog Timer	255 levels, 1-255 sec.
Expansion Interface	4 x 32-bit PCI bus master 16-bit ISA bus
Battery	Lithium 3V/220 mAh
Power Requirements	*Intel® Atom™ D410, 1GB DDR2 +5V_SBY @ 14.95mA, +3.3V @ 100mA, +5V @ 2.104A, +12V @ 315mA, -12V @ 39mA *Intel® Atom™ D510, 1GB DDR2 +5V_SBY @ 15.15mA, +3.3V @ 45mA, +5V @ 2.115A, +12V @ 404.2mA, -12V @ 22mA *Intel® Atom™ N450, 1GB DDR2 +5V_SBY @ 8.2mA, +3.3V @ 50mA, +5V @ 1.475A, +12V @ 205.9mA, -12V @ 48mA
Size	338 x 122 mm
Board Thickness	1.6 mm
Temperature	0° C ~ +60° C (32° F ~ 140° F), operation
Relative Humidity	10% ~ 95% relative humidity, non-condensing

I/O

MIO	1 x IDE; PATA-100 1 x FDD 1 x PS/2 keyboard 1 x PS/2 mouse 1 x LPT; with SPP/EPP/ECP supported 1 x RS-232 (COM 1) 1 x RS-232/422/485 (COM 2)
SATA	3 x SATA-300
Hardware Monitoring	Detect CPU/system temperature, voltage and support Smart Fan control
Ethernet	1 st port as 10/100/1000Mbps supports Wake-on-LAN, RPL/PXE Boot ROM with Intel® 82567V 2 nd port as 10/100/1000Mbps supports Wake-on-LAN, RPL/PXE Boot ROM with Realtek RTL8111DL
Audio	HD Codec audio as MIC-in/Line-in/Line-out/speaker-out with Realtek ALC662
USB	6 x USB 2.0
SMBus	N/A

Display

Chipset	Intel® GMA 3150 graphics Core
Memory Size	Intel® DVMT 4.0 compliant
Display Interface	1 x VGA

Packing List

Standard		
Quick installation guide, user's manual/utility CD, cable		
Cable		
Part Number	Description	Qty
59380502000E	COM + Print cable w/ bracket	1
593826A0000E	SATA signal cable 500mm	1
50781700400E	CPU heatsink w/o fan (for N450)	1
50781700500E	CPU heatsink w/ fan (for D510/D410)	1

Ordering Information

Standard	
SBC81207VGGA-N450 (fanless) (P/N: E381207100)	Intel® Atom™ N450 PICMG 1.0 full-size CPU card with VGA, 2 10/100/1000Mbps Ethernet and audio
SBC81207VGGA-D510 (P/N: E381207102)	Intel® Atom™ D510 PICMG 1.0 full-size CPU card with VGA, 2 10/100/1000Mbps Ethernet and audio
SBC81207VGGA-D410 (P/N: E381207101)	Intel® Atom™ D410 PICMG 1.0 full-size CPU card with VGA, 2 10/100/1000Mbps Ethernet and audio
Optional	
593836A0030E	4-pin power cable to SATA x 2, L=150mm
5938A808010E	2 x USB cable with bracket, P=2.54mm, L=190mm
59380000290E	PS/2 keyboard & mouse cable with bracket