

VTA-7840T

8.4" SVGA Windows® CE-based SCADA HMI



- | | |
|---------------------------|---------------------|
| 1. Power switch (AT) | 5. Ethernet |
| 2. 24 VDC power | 6. USB 2.0 x 2 |
| 3. COM 1 (RS-232/422/485) | 7. Audio (Line-out) |
| 4. COM 2 (RS-232) | |

Features



- 8.4" SVGA (800 x 600) color TFT LCD
- Fanless cooling system
- Supports complete PLC drivers & OPC client
- Remote monitoring by Web browser
- Standard Windows ODBC/SQL database
- Comprehensive graphical components
- Easy-to-expand: MiniPCI



WinPC32 Pro

Introduction

The VTA-7840T is a 8.4" fanless HMI equipped with Web-based SCADA software, WinPC32 Pro run-time. It adopts AMD LX800 500 MHz processor and fanless cooling system. With WinPC32 Pro run-time, the VTA-7840T can easily connect to different type of PLCs, and also connect PC-based I/O modules. Besides, on the platform of Windows CE, the VTA-7840T greatly improves the problems such as OS compatibility, hardware expansion, operating function and storage performance. Thus, the VTA-7840T is the newest generation HMI solution for factory automation, machine maker and semi-conductor industry.

Complete PLC drivers & OPC client supported

Drivers library has the communication drivers of all major brand such as Rockwell, Siemens, GE Fanuc, Modicon, Omron, Mitsubishi, Panasonic and Fuji PLCs, DCS, temperature controller etc. Besides, the WinPC32 Pro is built in OPC client to link with equipments with the OPC server.

Remote monitoring by Web browser

The HMI software is Web browser enabled that operators may monitor, upload and analyze the status of the entire application through internet.

Comprehensive graphical components

The HMI software, WinPC32Pro, provides users with a convenient way to build their own application programs. It allows users to import GIF, BMP and graphic objects and even composes their own custom components as a standard one for future use.

LAN & WLAN antenna (optional) supported

For network connection, the VTA-7840T adopts one LAN port which can receive data through control-level network or upload analyzed data to ERP system through information-level network. Besides, it is also equipped with MiniPCI slot for wireless operating environment.

Specifications

Front Bezel	IP65, NEMA 4 rugged protection, plastic front bezel	IO Connector	1 x RS-232 (COM 2) 1 x RS-232/422/485 (COM 1) 2 x USB 2.0 1 x 10/100Mbps Ethernet	
LCD Panel	8.4" SVGA TFT LCD	Expansion Interface	1 x MiniPCI slot	
Brightness (cd/m ²)	200 nits	Touchscreen	Resistive type	
Resolution	800 x 600	Power Supply	24VDC w/ fuse over-current protection, 55W	
Viewing Angle (H/V)	120° / 100°	Dimensions	251mm (9.88") (W) x 44.6mm (1.76") (D) x 205mm (8.06") (H)	
Main System	CPU	AMD LX800 500 MHz	Weight (net/gross)	1.3 kg (2.87 lb)/2.25 kg (4.96 lb)
Chipset	AMD LX+CS5536AD			
System Memory	1 x DDR SODIMM min. 256MB max. up to 1GB			
BIOS	Award 4Mbit with RPL/PXE LAN Boot ROM, SmartView and customer CMOS backup			
Storage	1 x CompactFlash™			
Watchdog Timer	255 levels, 0-255 sec.			
Onboard Graphics	Integrated in AMD LX			

Environmental	Operation temperature:	0° ~ +45°C (32° ~ 113°F)
	Relative humidity:	10% ~ 95% @ 40°C; non-condensing
	Operation vibration:	2.0G, 5 ~ 500Hz, random for CompactFlash™
	Certification	CE

Ordering Information

VTA-7840T	8.4" SVGA Windows® CE-based SCADA HMI with WinPC32 Pro run-time & Windows® CE license
50966A23020E	Power adapter, 72W, 110-230V _{ac} to 24V _{dc}
WinPC32 Pro builder	

*Specifications and certifications are limited to optional.
 **Users need WinPC32 Pro builder for programming.

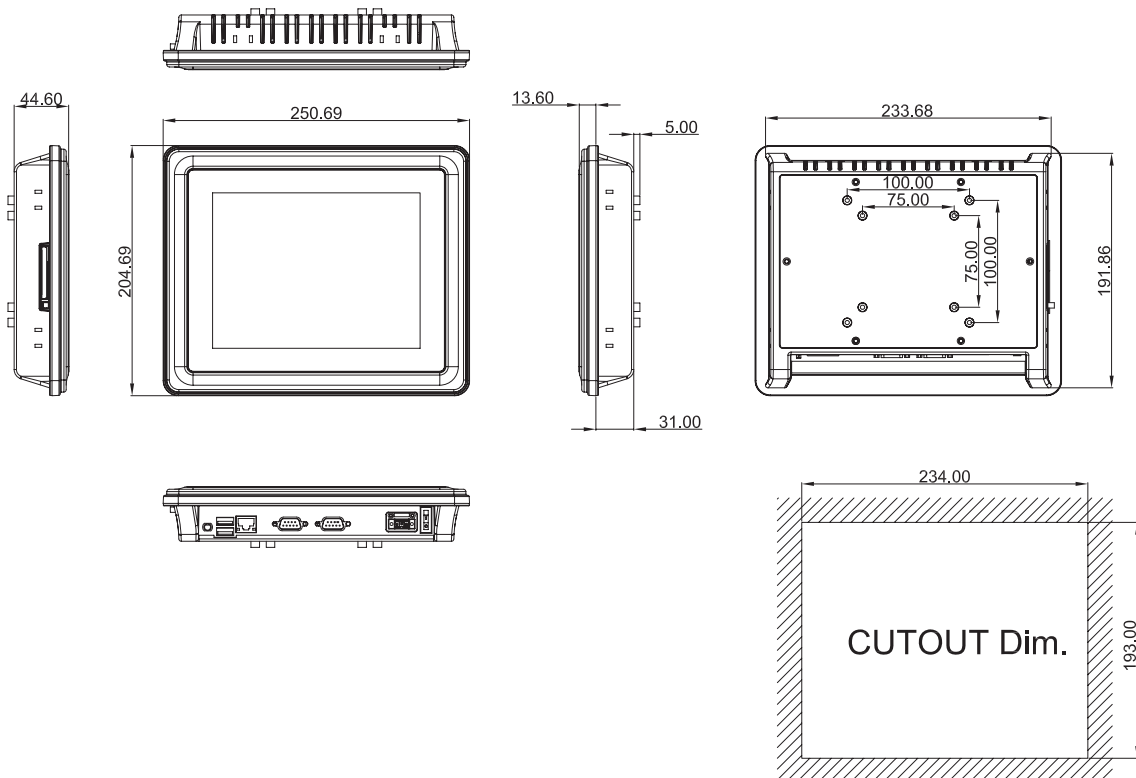
Optional EOS Installation

Windows® CE.NET



Side view

Dimensions



Touch Panel Computers for Various Industry Applications

Digital Signage and Display Solutions

Medical Panel Computers

Medical Grade Monitors

GOT Fanless Touch Panel Computers

Touch Panel Computers for Infotainment

Touch Panel Computers for Automation

Touch Panel Monitors for Automation

Touch Panel Computers with HMI Software