

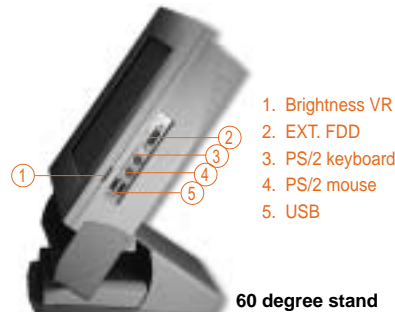
# PANEL2003-370e/370

12.1" TFT Panel Computer w/ PIII Processor



## FEATURES

- ▶ 12.1" TFT 150nit SVGA LCD
- ▶ NEMA 4/12 (IP65) -compliant front bezel
- ▶ Intel® socket 370 for Celeron™/Pentium® III system board
- ▶ Resistive type of touchscreen
- ▶ One Half-size PCI card expansion
- ▶ Optional variable system stand or VESA FPMPI ARM to meet customized application environment
- ▶ Optional PS/2 type of card reader module
- ▶ Two 24V cash drawer ports



1. Brightness VR
2. EXT. FDD
3. PS/2 keyboard
4. PS/2 mouse
5. USB

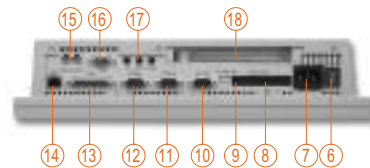
60 degree stand



90 degree stand



30 degree stand



I/O connectors for PANEL2003-370e

6. Power switch
7. AC inlet
8. External IDE
9. +5V / 12V Output
10. COM2
11. COM3
12. COM4
13. Parallel port
14. Ethernet (RJ-45)
15. Cash drawer port (PANEL2003-671e only)
16. VGA port
17. Audio In, Out, MIC
18. Expansion outlet

## SPECIFICATIONS

<b>Material By</b>	Plastic ABS	
<b>Front Cover</b>	Control button for brightness adjustment and light on/off	
<b>LCD PANEL</b>	12.1" TFT Brightness: 150nit View Angle: U/D: 150°	
<b>Main System</b>	<b>Mainboard</b>	SBC8360
	<b>CPU</b>	ZIF socket 370 type processor Intel® Celeron® 300 up to 1G Intel® Pentium® III 500 up to 1G
	<b>Core Logic</b>	Intel® 440BX Core Logic controller
	<b>Bus Clock</b>	66 / 100MHz
	<b>Memory</b>	One 168-pin DIMM socket up to 256MB SDRAM
	<b>Resolution</b>	800 x 600
	<b>Onboard Graphics</b>	C&T 69000 1 X AGP 2MB SDRAM Graphic memory
	<b>Serial Port</b>	RS-232 x 3 RS-232 / 422 / 485 x 1 +5V / +12V power output capability by pin 1 and pin 8, selectable via jumper setting
	<b>Parallel</b>	SPP/EPP/ECP supported Configurable to LPT1, LPT2, LPT3 or disable

\* All the specifications and photos are subjected to be changed without notice.

# PANEL2003-370e/370

## SPECIFICATIONS

	<b>PS/2 Interface</b>	PS/2 mouse x 1 PS/2 keyboard x 1
	<b>DIO</b>	4 channel bits of TTL/DTL compatible Digital input / output
	<b>DiskOnChip®</b>	Support M-systems flash
	<b>Hard Disk Drive</b>	Enhanced IDE interface 2.5" type
	<b>LAN</b>	32 bit PnP Ethernet controller 10/100 Base-T (RJ-45)
	<b>Watchdog Timer</b>	64 levels timer with time-out intervals from 0.5 - 1600 sec.
<b>I/O Connectors</b>		D-Sub 9-pin x 1 (male) for RS-232/RS-422/RS-485 D-Sub 9-pin x 2 (male) for RS-232 D-Sub 25-pin x 1 (female) for parallel D-Sub 15-pin x 1 (male) for digital I/O (PANEL2003-370) PS/2 x 2 for keyboard and mouse RJ-45 x 1 for Ethernet Audio (Line in/Line out/MIC in) USB connector x 2 Centronic 26-pin (female) for external floppy disk drive RJ-11 x 2 for 24V cash drawer (PANEL2003-370e) 40-pin connector for external IDE device 4-pin for external power (5V/12V/GND)
<b>Expansion Slot</b>		PCI x 1
<b>System Fan</b>		4cm fan
<b>Touchscreen</b>		Resistive type
<b>Power Supply</b>		AC 100-230V, 100W UL, c-UL, VDE Certificated
<b>Dimensions</b>		14.17" (360mm) (W) x 3.16" (80.2mm) (D) x 10.91" (277mm) (H)
<b>Weight</b>		4.2kg
<b>Environmental</b>		Operation temperature range: 0°C-40°C (32°F -104°F) Relative humidity: 20% ~ 90%, non-condensing

## ORDERING INFORMATION

<b>PANEL2003-370</b>	12.1" TFT panel computer
<b>PANEL2003-370e</b>	12.1" TFT panel computer with cash drawer ports

## OPTIONAL ACCESSORIES

3.5" floppy disk drive, 1.44MB
Compact card reader w/ PS/2 keyboard type interface & mounting bracket
30° stand
30° stand w/ build-in CD-ROM
60° stand
60° stand w/ build-in CD-ROM
90° & wall mounting stand
90° & wall mounting stand with build-in CD-ROM
VM-205 VESA Arm Wall-mount type
VM-201 VESA Arm Clamp type

## OPTIONAL EOS INSTALLATION

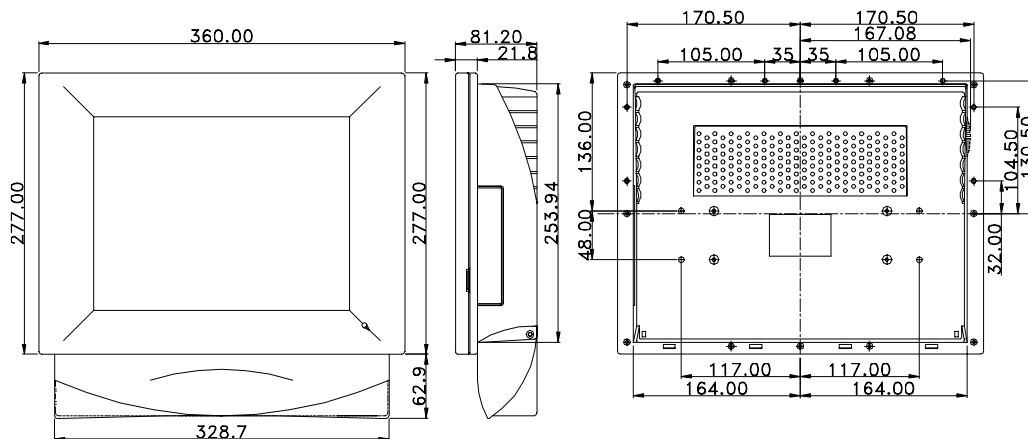
Windows® CE.NET License
Windows® XP Embedded License



VESA FPMPMI ARM  
for PANEL2000 series



## DIMENSIONS



\* All the specifications and photos are subjected to be changed without notice.